

# MikroPoynt

## 2.4 GHz Vertical Polarised



WLAN-A0057

The MikroPoynt is designed to be a weatherproof, versatile CPE enclosure that is ideal for WISPs and various other applications. With an integrated RB411, multiple mounting options (included), a well designed antenna and stunning good looks, the MikroPoynt becomes the ultimate CPE solution for your application.

### Features and applications:

- This enclosure is designed for MikroTik RB411/RB411R
- It comes with a 2.4 GHz, 11 dBi antenna
- The IP67 enclosure is UV stable, this ensures longevity of the enclosure and the electronics
- The antenna can be aimed left or right or can be turned around for the window mount option
- It has a LED window display at the bottom
- It comes with an IP67/NEMA 6P waterproof RJ45 connector pass through. The pre-assembled Ethernet cable can be installed without removing the RJ45
- It has an U.FI connector from antenna to electronics
- This product comes standard with window, wall and pole mounting kits which includes window suckers, screws and plugs, and a stainless steel hose clamp.



# MikroPoynt

## 2.4 GHz Vertical Polarised



# Poynting

*Making wireless happen*

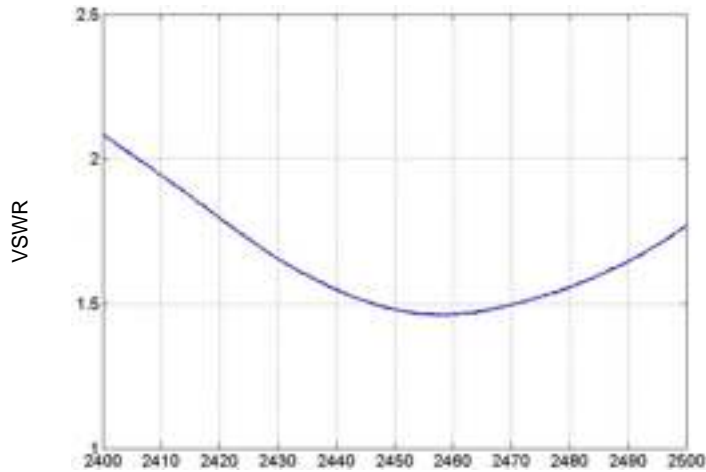
WLAN-A0057

### Electrical Specifications

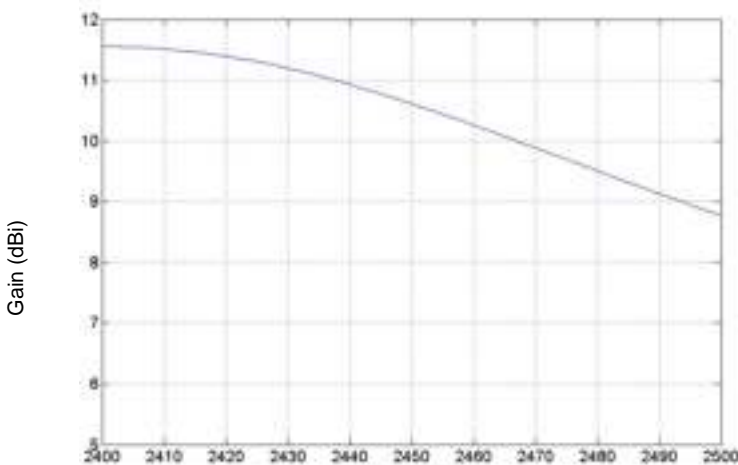
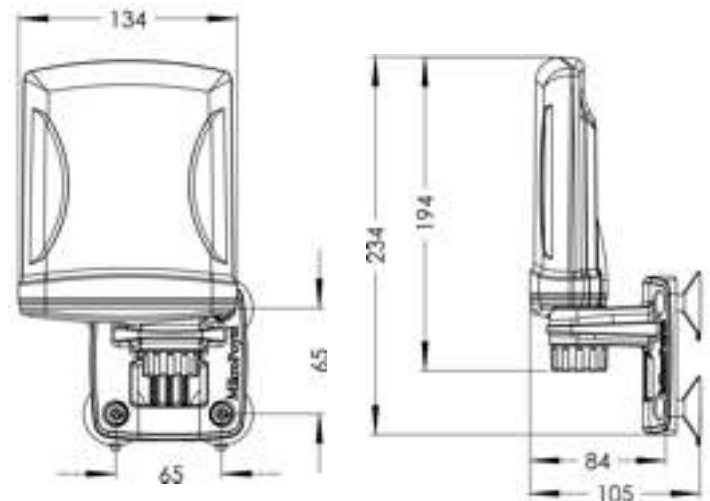
Frequency	2.4 – 2.5 GHz
Gain	11.6 dBi
Gain (Min over the band)	8.5 dBi
VSWR	< 2.5:1
Feed Power Handling	10 W
E-Plane 3 dB Beamwidth	44 degrees
H-Plane 3 dB Beamwidth	54 degrees
Front to Back (F/B Ratio)	14 dB
Nominal input impedance	50 ohm
Polarisation	Vertical
Connector Type	U.fl

### Mechanical & Environmental Specifications

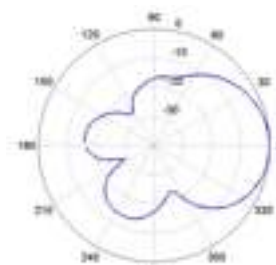
Dimensions (l x w x d)	234 x 134 x 105 mm
Package (shipping) Size (l x h x w)	287 x 187 x 102 mm
Weight	252 g (without RB411)
Mounting	Wall, window or pole
Materials	ABS
Wind Loading	120 km/h
Temperature Range	-20 to 70 degrees celcius
Water Ingress Rating	IP67
Rain Rating (mm/hr)	100 mm/hr
RoHs	Yes



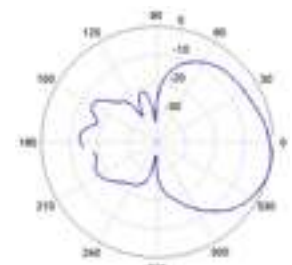
Frequency(MHZ)



Frequency(MHZ)



Azumith



Elevation

Radiation

